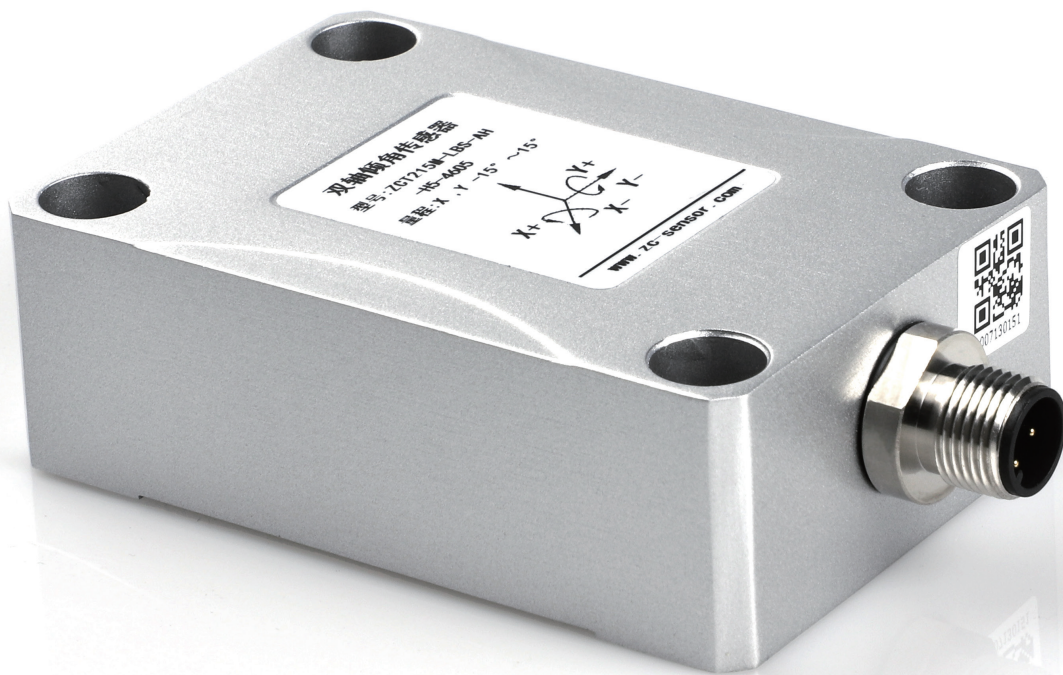


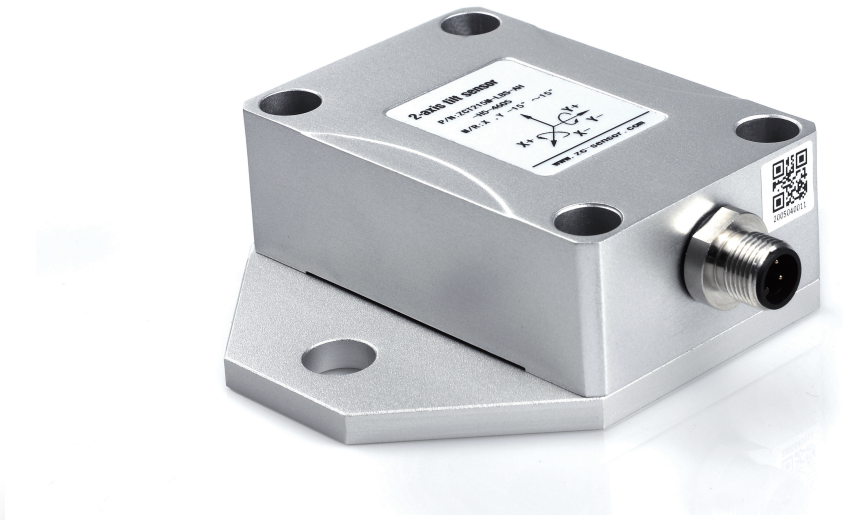
ZCT

2xxM-LBS-Ax-H5-460x



INCLINOMETER

Brochure



Safety and
Stability
.....

ZCT2XXM-LBS-AX-H5-460X INCLINOMETER

✓ Product Description

ZCT2xxM-LBS-Ax-H5-460x is a two-axis high-precision digital (RS485) tilt sensor developed by Shanghai Zhichuan Electronic Technology Co., Ltd., which is compatible with Modbus RTU protocol;

✓ Product Features

- $\pm 15^\circ$ measurement rang
- Aluminum alloy case
- IP67

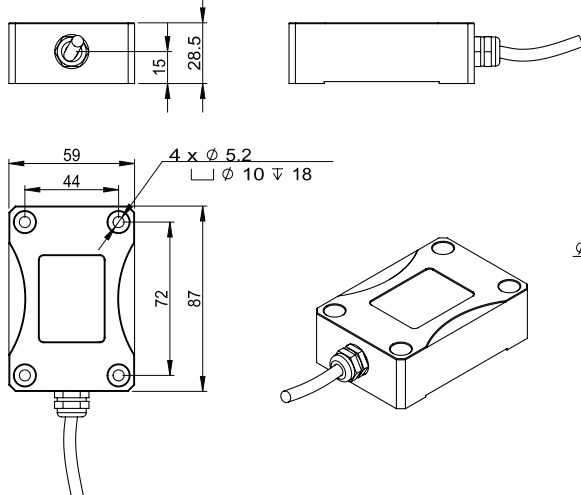
✓ Authentication

- Comply with EMC/CE standard.

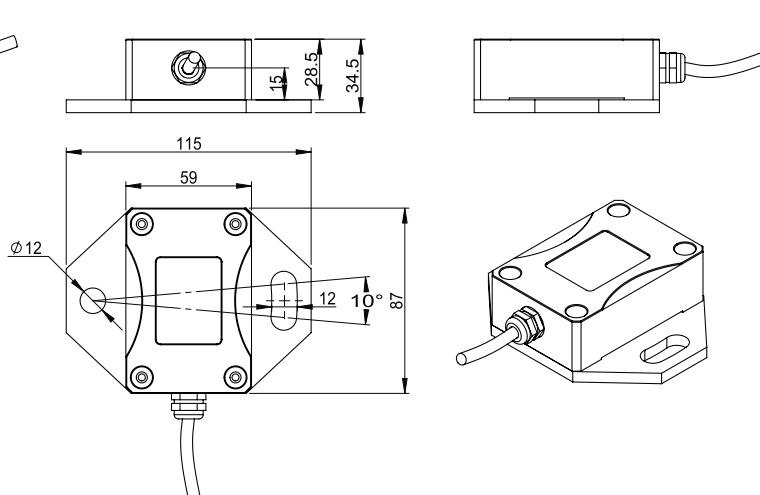


✓ Housing Size (unit: mm)

W/O Mounting Plate (Default):

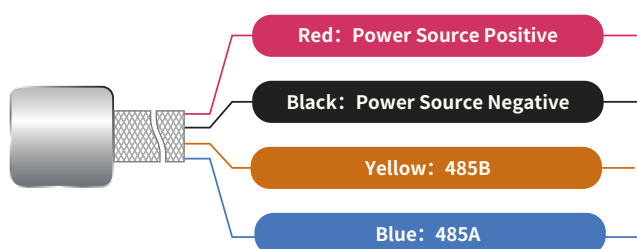


W/ Mounting Plate:

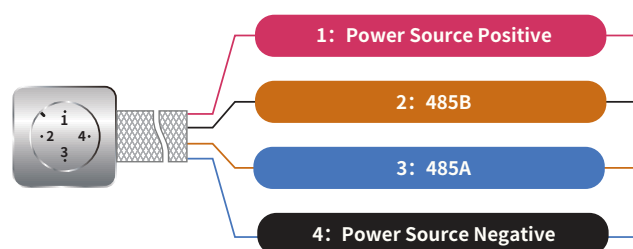


✓ Wiring Definition

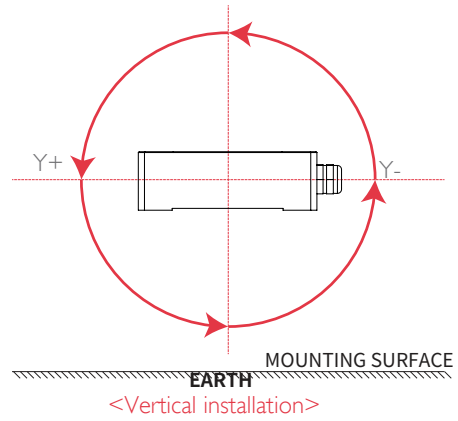
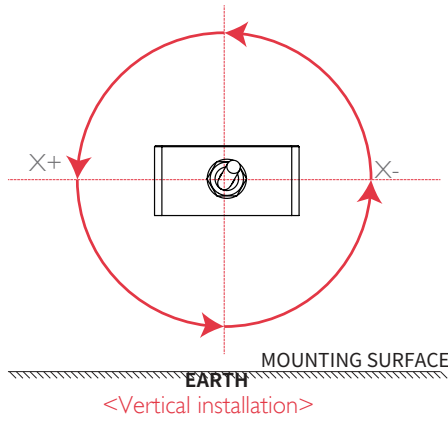
M12 fastening head:



M12-4 core male connector:



✓ Measurement



✓ Technical Parameters(at 25 °C)

Parameters	Conditions	Min	Typical	Max	Unit
Voltage Source		8		36	V (DC)
Quiescent Current	(Power source DC24V)		15	20	mA
Working Temperature		-40		85	°C
Measuring Range			±15°		°
Resolution	9600bps		0.001		°
Accuracy	Question and answer mode	0~±15°	±0.005	±0.01	°
Cross axis error					
Zero Temperature Drift	-40~+85°C		±0.002		°/°C
					±0.13
Refresh Time ¹	9600bps Question and answer mode		40		ms
Power-on startup time				0.5	s
Zero deviation			±0.05		°
Size	W/O Mounting plate		87*59*28		mm
	W/ Mounting plate		115*87*34.5		mm

* Unless otherwise noted, the following parameters are typical at room temperature (25 °C)

1, The update time is the time it takes for the sensor's biaxial angle value to be updated once. Therefore, in the question and answer mode, the transmission of the next angle query command should be kept at least 40 ms apart from the end of the previous angle query command.



Shanghai Zhichuan Electronic Tech Co., Ltd.

0086-21-64908093 64908096 (T) 0086-21-64906992(F)

• <https://www.inclinesensor.com>

• E-mail: sales@zc-sensor.com

Address: No. 639 Guangzhong Road, Shanghai 201108, China