

ZCT

245RD-LCS-E3-75



INCLINOMETER

Brochure



Safety and
Stability
.....

ZCT245RD-LCS-E3-75 INCLINOMETER

✓ Product Description

ZCT245RD-LCS-E3-75 is an inclinometer sensor developed by Shanghai Zhichuan Electronic Technology Co., Ltd. for testing dynamic inclination angle development, with CAN output.

✓ Product Features

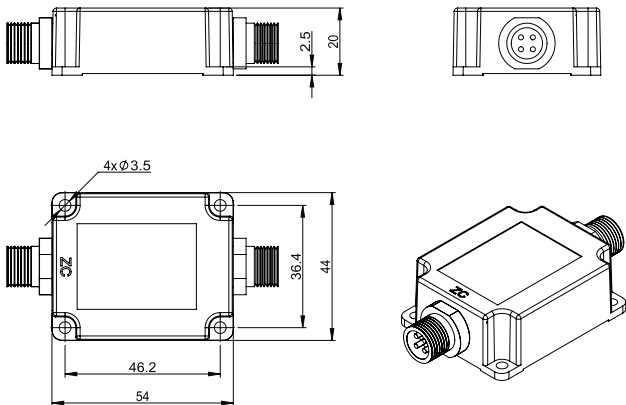
- 6 axis sensor:
- Accelerator included;
- Gyro scope included.

✓ Authentication

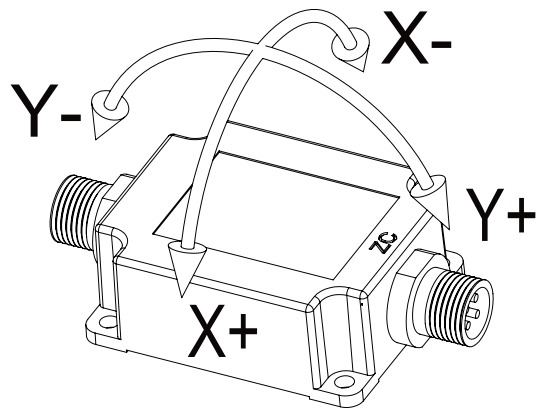
- Agricultural machinery



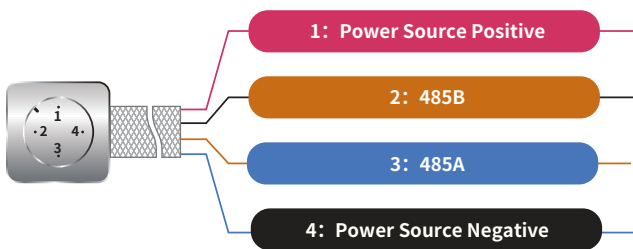
✓ Housing Size (unit: mm)



✓ Measurement



✓ Wiring Definition



M12 Female header	M12 Male Header

ZCT245RD-LCS-E3-75 Measurement ± 45 degree;

Technical Parameters(at 25 °C)

Parameters	Conditions	Min	Typical	Max	Unit
Power Source		8	12	30	V (DC)
Static working current	Vcc=12V		38		mA
Range of working temperature		-40		85	°C
Test Range	2 axis	-45		+45	°
Resolution	25°C		0.5		°
Accuracy	Static		±1		°
	Dynamic		±2		
Zero temperature drift	-40---+85°C		0.057		°/°C
Zero Point	Static		1	2	°

* Unless otherwise noted, the following parameters are typical at room temperature (25 °C)



Shanghai Zhichuan Electronic Tech Co., Ltd.

0086-21-64908093 64908096 (T) 0086-21-64906992(F)

• <https://www.inclinesensor.com>

• E-mail: sales@zc-sensor.com

Address: No. 639 Guangzhong Road, Shanghai 201108, China