

ZCT

1360J-STX-AH-H6-41



INCLINOMETER

Brochure



Safety and
Stability
.....

ZCT1360J-STX-AH-H6-41 INCLINOMETER

✓ Product Description

ZCT1360J-STX-AH-H6-41 is a single-axis inclinometer sensor developed and produced by Shanghai Zhichuan Electronic Technology Co., Ltd. The maximum measurement angle range is single-axis 360° , accuracy 0.3° , TTL output.

✓ Product Features

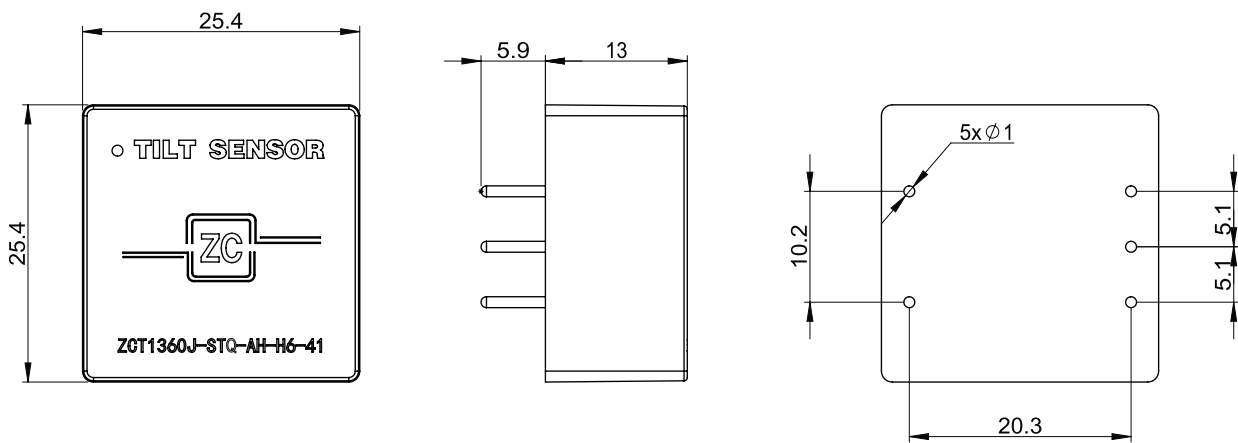
- Large range and high cost performance;
- Small size, light weight and easy integration;
- Reliable industrial devices applied.
- Shock and vibration resistant.

✓ Product Applications

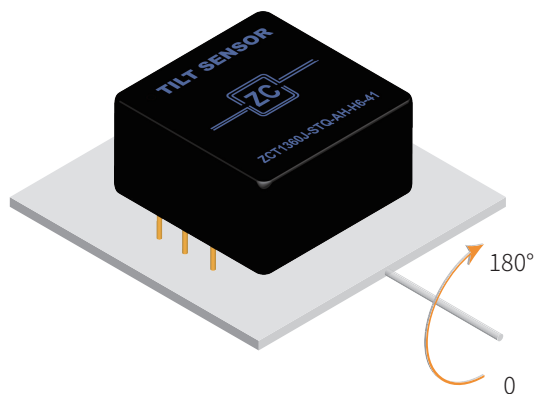
- Wind deviation monitoring, inclination measurement, horizontal adjustment, vertical monitoring, attitude recording; construction machinery, surveying and mapping instruments, etc.



✓ Housing Size (unit: mm)



✓ Measurement



✓ Technical Parameters(at 25 °C)

Item	Condition	MIN	TYPE	MAX	UNIT
Power Source Voltage	ZCT1360J-STP-AH-H6-41	3.1	3.3	3.5	VDC
	ZCT1360J-STQ-AH-H6-41	4.8	5.0	5.2	VDC
Static working current	No load, horizontal, Vcc=3.3V	8	13	18	mA
	No load, horizontal, Vcc=5.0V	10	15	20	mA

* Unless otherwise noted, the following are typical values at room temperature (25 °C)

* Note: The TTL output high level of the sensor is consistent with the power supply voltage.

Item	Testing Condition	MIN	TYPE	MAX	UNIT
Measurement Range	Single Axis	0		360	°
Resolution ⁽¹⁾			0.1		°
Accuracy	RMS		±0.3		°
Zero deviation				±3	°
Zero point temperature drift	-40~+85°C		±0.003	±0.006	°/°C
				0.4	°
Response time ⁽²⁾	No filtering		0.1		s
Power-on startup time				1	s
Range of working temperature		-40		+85	°C

* Unless otherwise noted, the following are typical values at room temperature (25 °C)

* Note 1: Resolution refers to the minimum variation that can be detected by the sensor while working in its valid range.

Note 2: Response time refers to the time required for the sensor output to rise to 85% due to a step change in the measured tilt angle.



Shanghai Zhichuan Electronic Tech Co., Ltd.

0086-21-64908093 64908096 (T) 0086-21-64906992(F)

• <https://www.inclinesensor.com/>

• E-mail: sales@zc-sensor.com

Address: No. 639 Guangzhong Road, Shanghai 201108, China