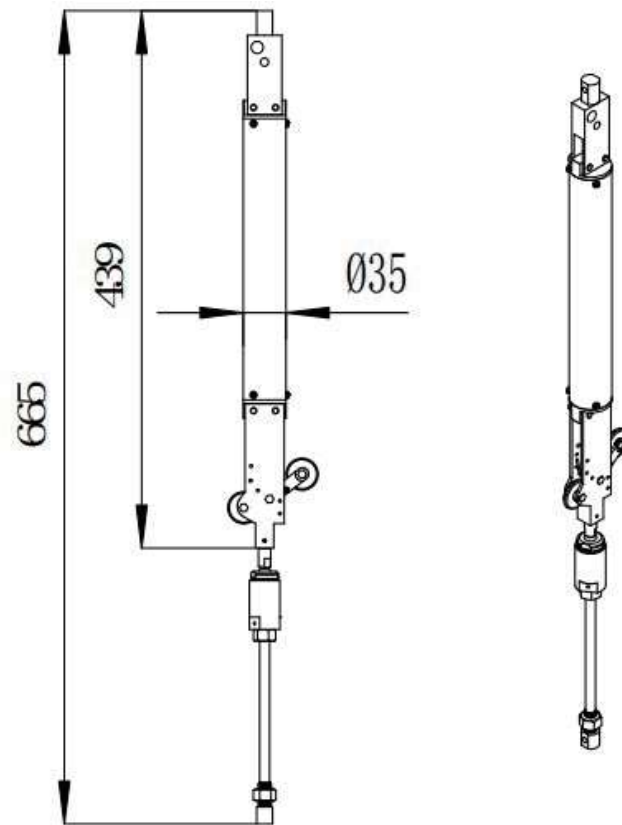


ShanghaiZhichuan Electronic Tech Co., Ltd.



*Sense the world for you*

# IN-PLACE INCLINOMETER SPECIFICATION



[Installation]

## Contents

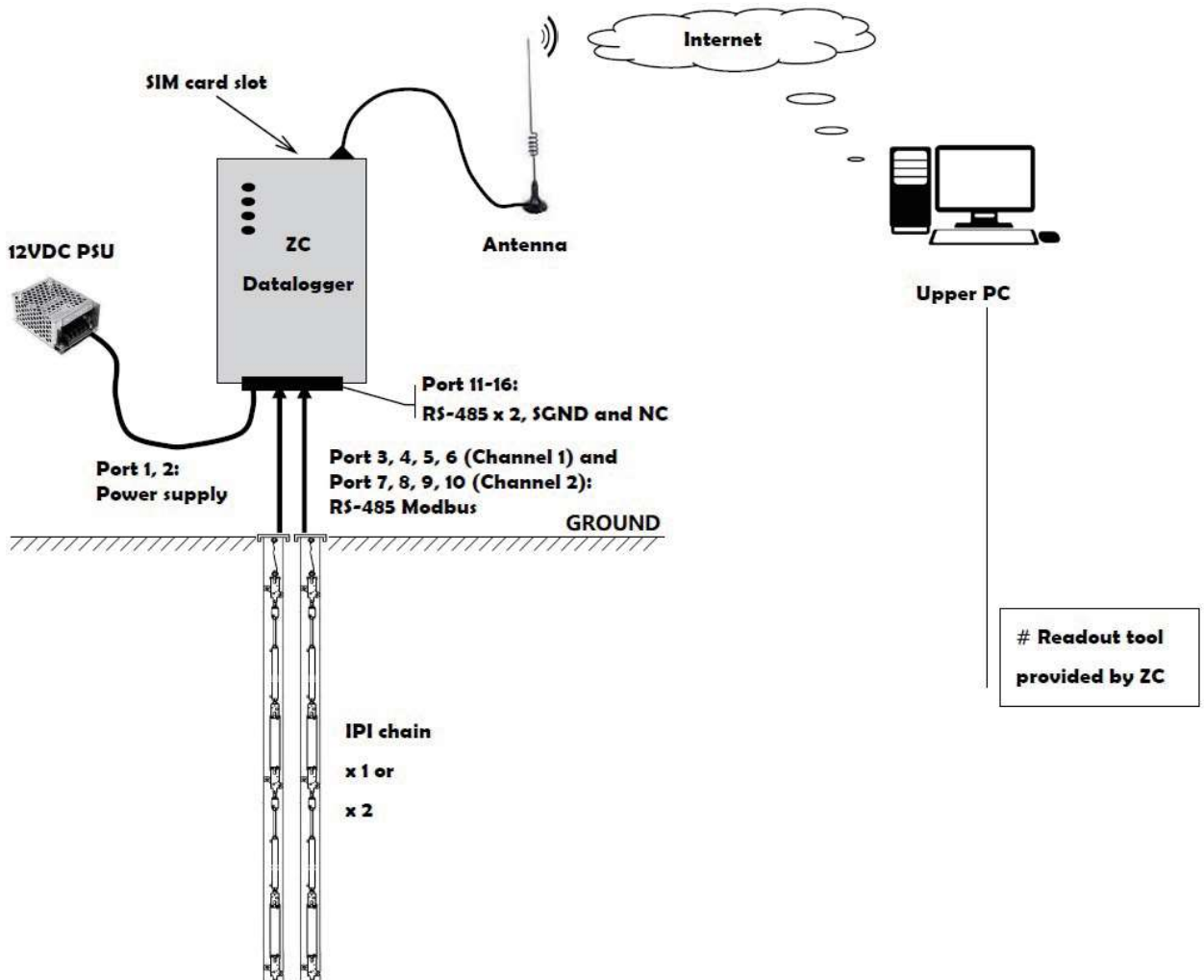
I.BRIEF INTRODUCTION	1
-----	
II.SYSTEM COMPONENTS	
-----	
III.ADVANTAGES	
-----	1
IV.CERTIFICATIONS	
-----	1-3
V.APPLICATION CASES	
-----	3
VI.INSTALLATION DEMO VIDEO	
-----	3
VII.CONTACT US	
-----	4
VIII.Order information	
-----	5

# IN-PLACE INCLINOMETER

## SPECIFICATION

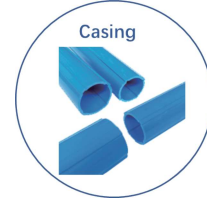
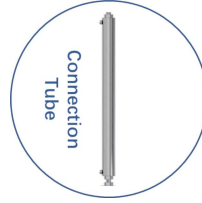
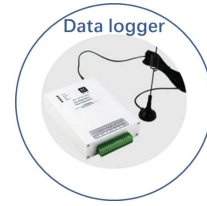
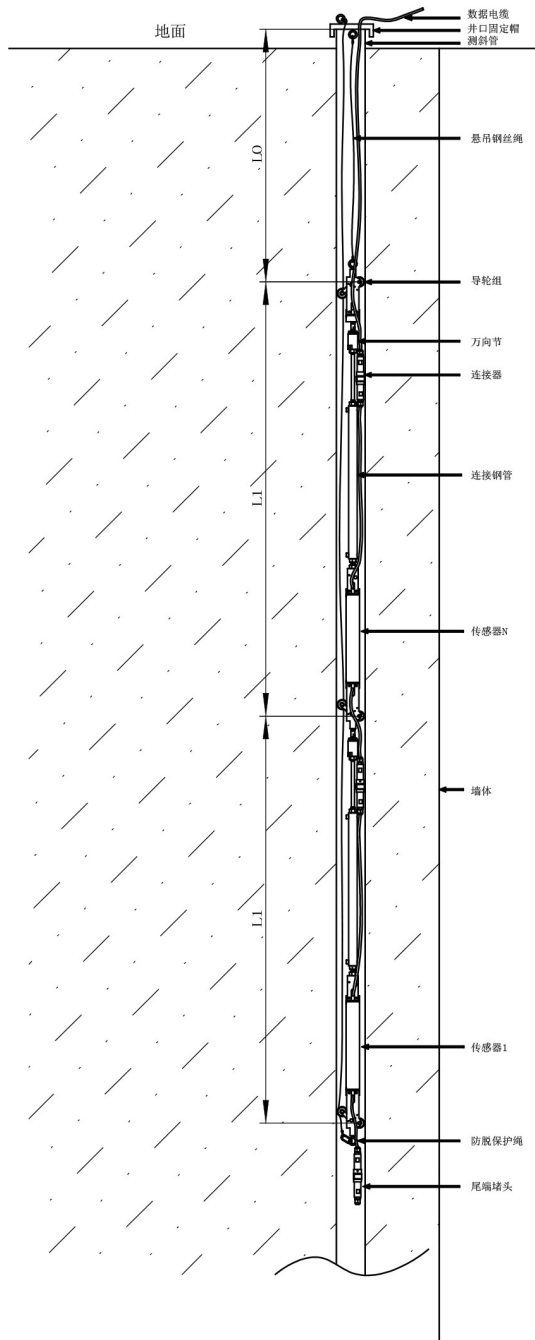
### I. General description:

ZCT-CX100 in-place inclinometer system is a high-precision monitoring system developed by Shanghai Zhichuan Electronic Technology. It is wide range measurement, stable performance, solid and easy maintenance. The sensor probe of it has a maximum measuring range of  $\pm 30$  degrees. It is suitable for geological monitoring, construction, civil engineering and other similar safety monitoring application.



### ZCT-CX100 IN-PLACE INCLINOMETER SYSTEM

## II.SYSTEM COMPONENTS



## III.ADVANTAGES

### 1.High precision

Our in-place inclinometer accuracy reaches 0.01 degree. We have tilt angle platform with accuracy 0.003 degree to calibrate our inclinometer. Ensure each product satisfy the accuracy in specification.

## 2.High level waterproof

Each inclinometer sensor probe must be strictly tested under 120 meters depth water pressure for 12 hours. Make sure all sensor probes fulfill IP 68 waterproof level.

## 3.High reliability

Aging test is strictly performed for the PCB of in-place inclinometer. Keep it in aging test box with 85℃ temperature for 6 hours to ensure high reliability.

## 4.Excellent process

All frame components of sensor probe are high strength stainless steel. Every detail is carefully designed to ensure durability.

## 5.Freely customized length

There are three standard length of sensor probe unit, i.e. 1 m, 2 m, 3 m, for your selection. If these are all not suitable, we could customize the length of sensor unit as you request.

## 6.Wireless transmission

There are three standard length of sensor probe unit, i.e. 1 m, 2 m, 3 m, for your selection. If these are all not suitable, we could customize the length of sensor unit as you request.

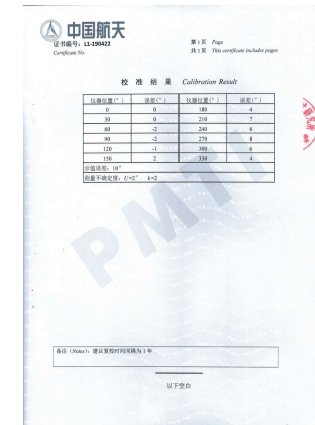
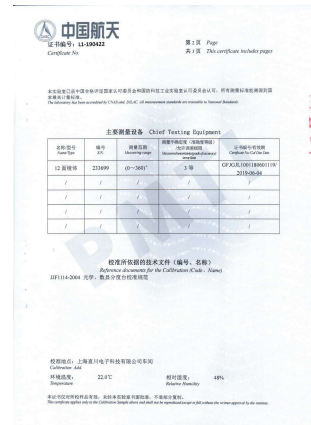
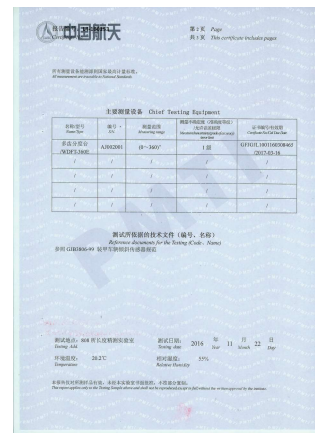
## 7.Remote control

Measurement data is auto saved by upper software which runs on the server. End-user could remotely check and analyze tilt condition real time.

## 8.Highly competitive price

We would like to provide the best price even for small quantity sample order. You could surely get more discounts for future lots order.

## IV. CERTIFICATIONS



## V.APPLICATION CASES

### 1.ZCT-CX100 In-place Inclinometer Used for Sea Reclamation in Yangshan Deepwater Port Project



[Yangshan Deepwater Port]

2.ZCT-CX100 In-place Inclinator Used in Deng Xiaoping's Hometown Guang'an for Landslide Monitoring



### 3.ZC In-place Inclinator ZCT-CX100 Used for Station Construction in Switzerland



### 4.In-place Inclinator Used for Funan Digital Mall Reconstruction Project







Shanghai Zhichuan Electronic Tech Co.,Ltd.

Address:3/F Composite Building,No.1128 Denghui RD,Minhang  
Shanghai,China

0086-21-64908093 64908096 (T) 021-64906992 (F)

Postcode: 201109

<http://www.zc-sensor.com> E-mail:[sales@zc-sensor.com](mailto:sales@zc-sensor.com)

## VI.INSTALLATION DEMO VIDEO

Accessories: 5 pin M12 female plug with cable,M12K5ZT-L2.0m

5pin M12 female straight plug with cable,M12K5ZT-L6.0

Specifications subject to change without notice!



## VII.CONTACT US

Welcome to contact us for more details.

[contact@zc-sensor.com](mailto:contact@zc-sensor.com)

[sales@zc-sensor.com](mailto:sales@zc-sensor.com)

<https://www.zc-inclinometer.com>

Sales manager Gary Zhan sincerely hope to help you.

E-Mail: [gary@zc-sensor.com](mailto:gary@zc-sensor.com)

Tel: +86-21-64908095/64908097 EXT 237

Skype: zhgyskype